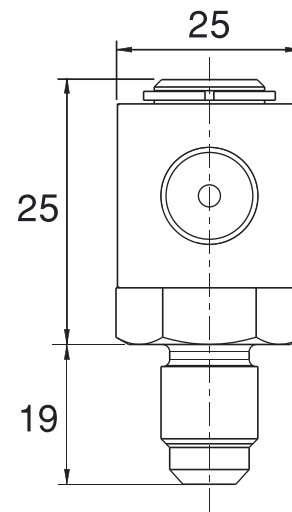
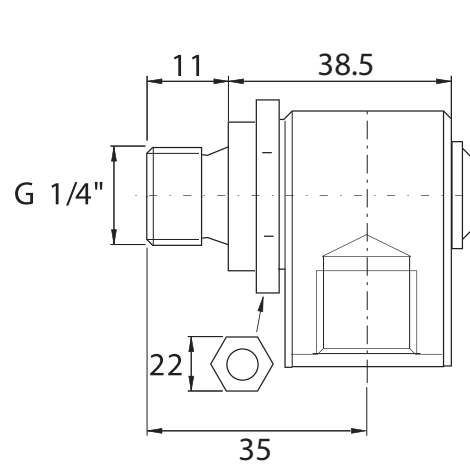
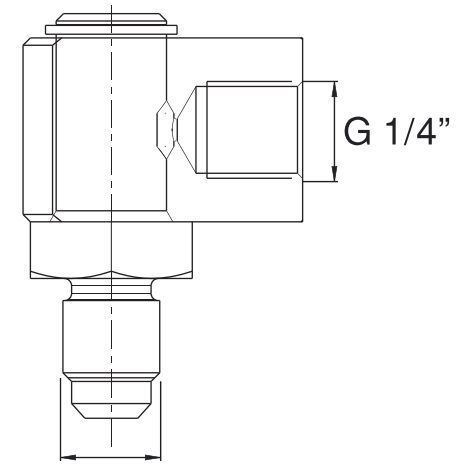


ASE10



ASE15



G 1/4"

Please note that numbers shown in dimensional drawings are metric numbers.
1 mm = 0.0393 in