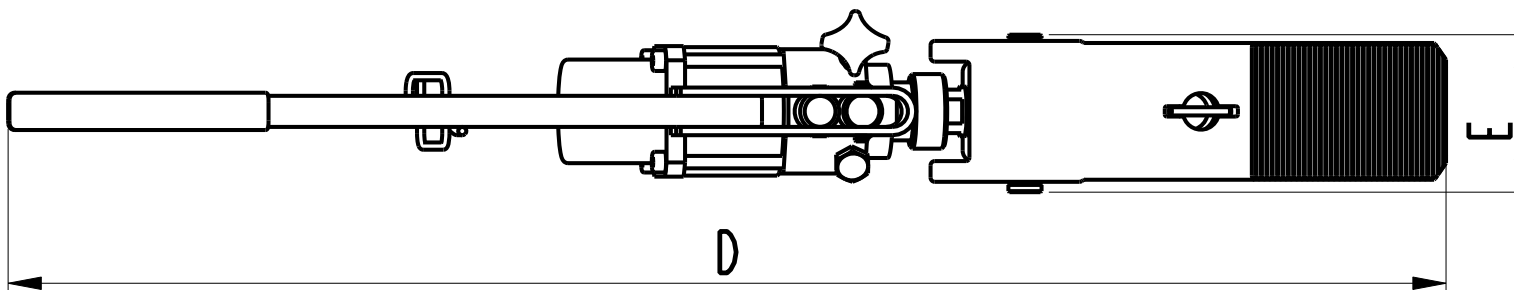
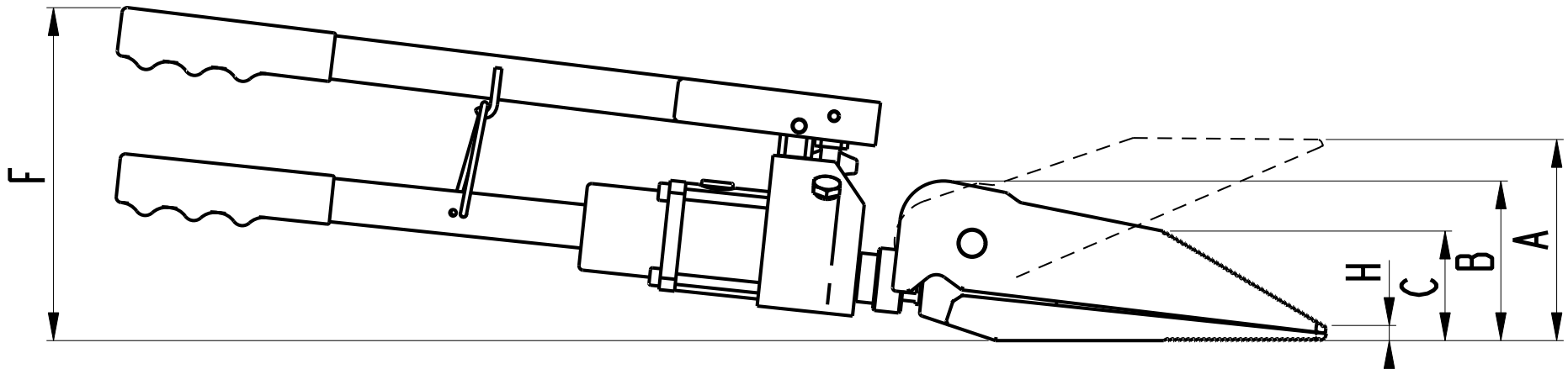
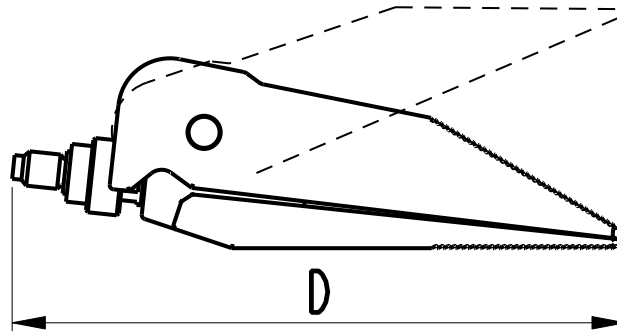


CS 20-120



Please note that numbers shown in dimensional drawings are metric numbers.
1 mm = 0.0393 in