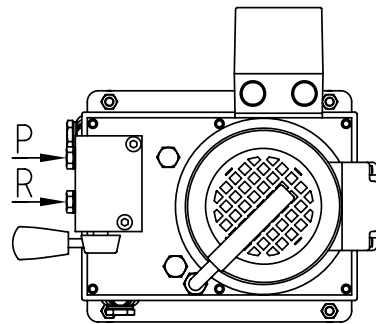
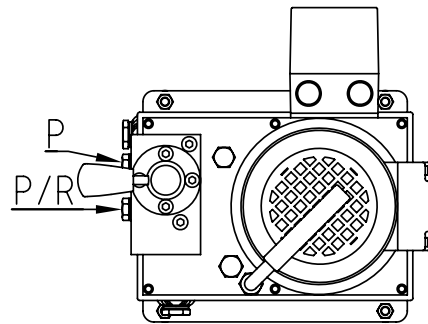


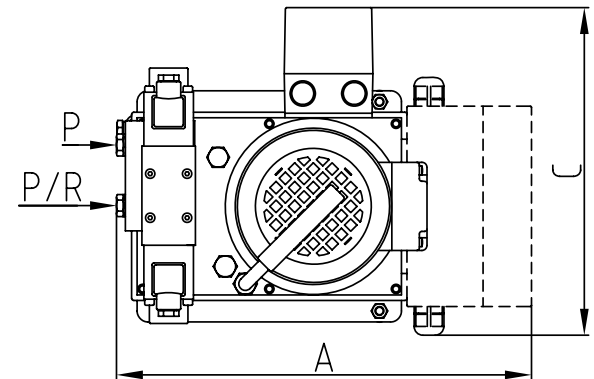
AP/ADV



MRV



MLS/MLD



SS/SD

Please note that numbers shown in dimensional drawings are metric numbers.
1 mm = 0.0393 in