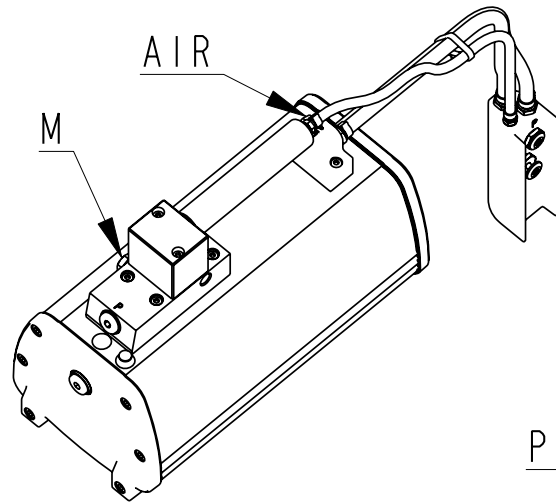
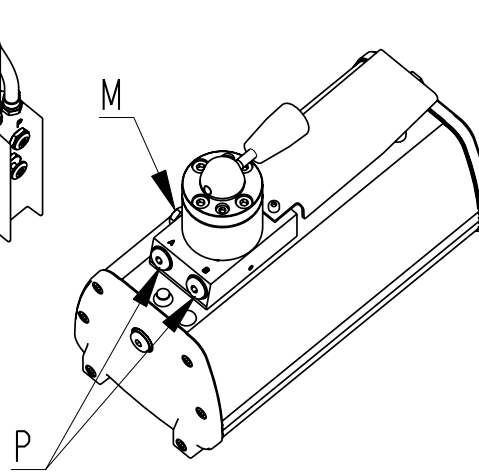


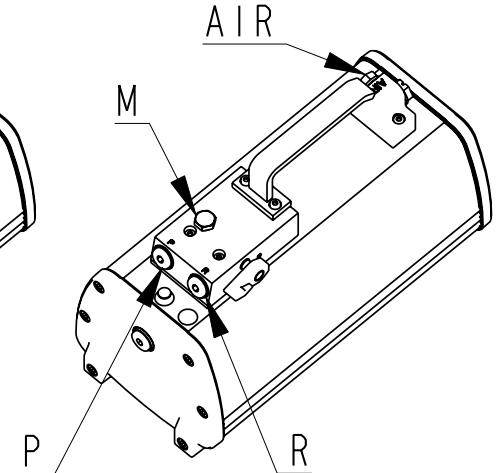
PPxx-2100FP



PPxxA-2100RC



PPxx-2100MLD



PPxx-2100MRV

Please note that numbers shown in dimensional drawings are metric numbers.
1 mm = 0.0393 in