

AQS - Swivelling elbow quick couplings

- Elbow quick coupling 1500 bar
- 360° swivelling, also under full pressure

AQS compact elbow quick couplings are designed to be as small and simple as possible thus being extremely suitable for tight environments, e.g. bolt tensioning

*) with 120° sealing cone

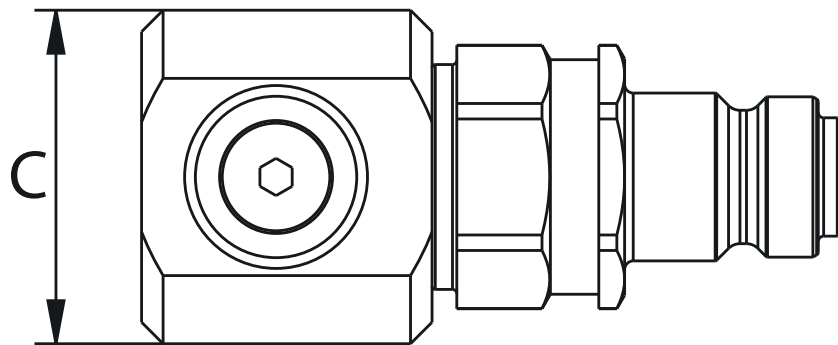
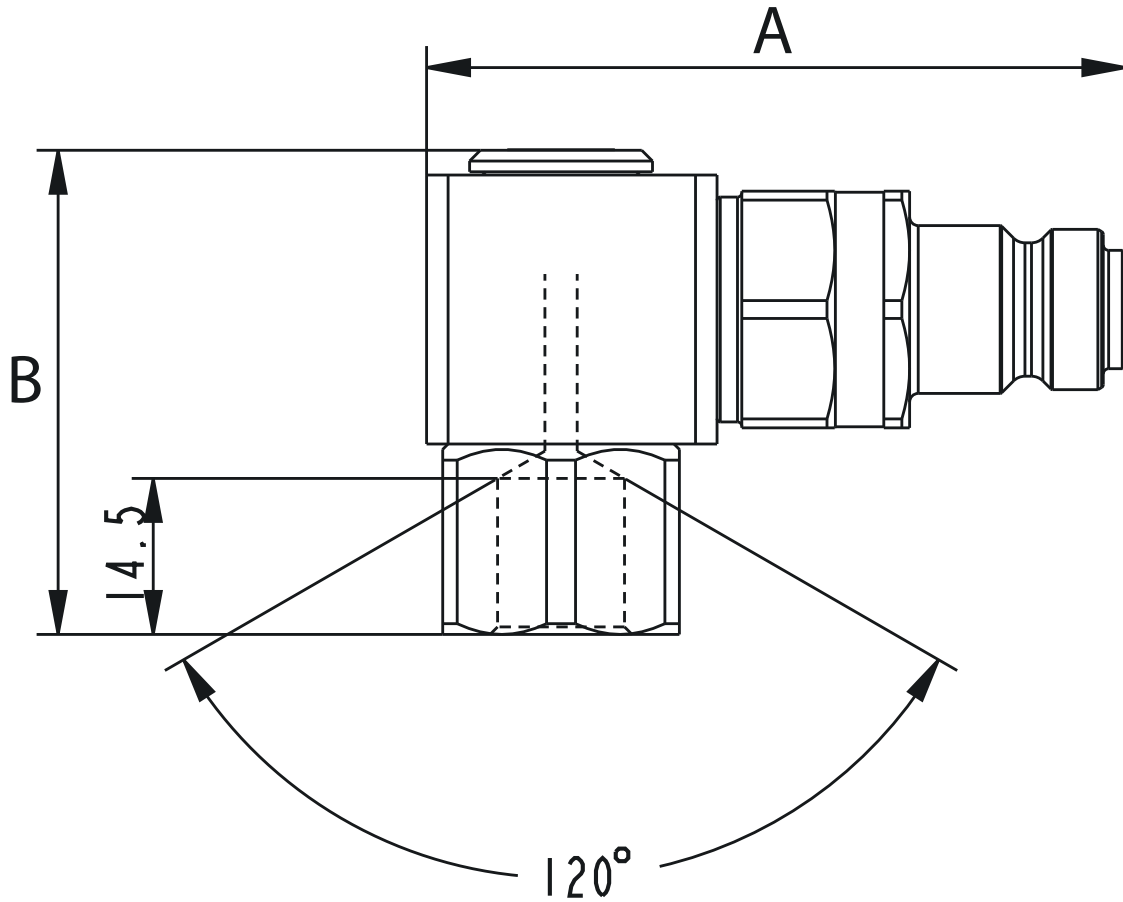
***) use AAU243 for external G 1/4" connection





Technical data

Name	Type	Male	Female	Max. working pressure MPa (bar)	Int. thread	Ext. thread	Flow rate *** l/min	Dust cap Standard
AQS150	Insert	-	Yes	150 (1500)	G 1/4" *	**	6	-
AQS151	Insert	Yes	-	150 (1500)	G 1/4" *	**	6	Plastic



Name	A mm	B mm	C mm
AQS150	67	45	22
AQS151	66	45	22



NIKE HYDRAULICS AB
 Box 1107
 631 80 Eskilstuna
 SWEDEN
 Tel +46 16 - 16 82 00
 Fax +46 16 - 13 93 16
 info@nikehydraulics.se

NIKE HYDRAULICS Inc.
 3980 W. Albany, Unit #1
 MCHENRY, IL 60050
 USA
 Tel + 1 815 385 7777
 Fax + 1 815 385 7776
 info@nikehydraulics.com

NIKE POWER EQUIPMENT Ltd.
 Unit 6, Stechford Trading Estate
 Lyndon Road, Stechford
 BIRMINGHAM B33 8BU, UK
 Tel +44 121 789 77 07
 Fax +44 121 789 68 66
 info@nikehydraulics.co.uk