

H - Bottle jacks

NIKE's range of bottle jacks is made up of a wide selection of standard models, including extended (H80-300) and extra low variants (HxxxL- models) and special jacks for a variety of different applications.

All NIKE bottle jacks have a safety valve that prevents overloading. Bottle jacks are easy to service, and all wear components are easily replaceable.

H-series

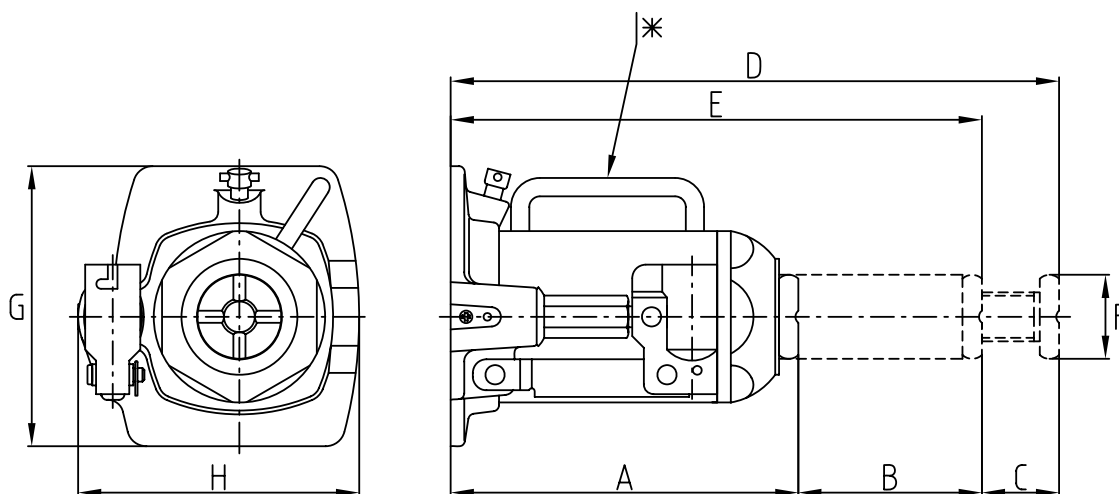
- Low manual pumping force facilitates use in uncomfortable positions.
- Release valve permits safe, easy and precise control over rate of lowering.
- Filter in oil reservoir protects against contamination.





Technical data

Name	Capacity ton	Min. height mm	Max. height mm	Hydr. stroke mm	Adjustm. screw mm	Weight kg
H20	2	165	317	102	50	2.8
H40	4	180	366	116	70	4
H60	6	195	392	127	70	5
H80	8	200	400	130	70	6.2
H80-300	8	300	600	220	80	9.9
H100	10	220	430	140	70	7.3
H120L	12	180	315	95	40	7.6
H120	12	220	440	140	80	8.5
H150	15	225	435	130	80	9.6
H200L	20	190	325	95	40	11
H200	20	240	465	145	80	13.6
H300	30	280	458	178	-	24



Name	Capacity ton	A mm	B mm	C mm	D mm	E mm	F ø mm	G mm	H mm	* Handle
H20	2	165	102	50	317	-	25	100	108	-
H40	4	180	116	70	366	-	27.5	110	116	-
H60	6	195	127	70	392	-	31.5	115	123	-
H80	8	200	130	70	400	-	34.5	125	131	-
H80-300	8	300	220	80	600	-	43.5	145	145	-
H100	10	220	140	70	430	-	34.5	135	138	-
H120L	12	180	95	40	315	-	43.5	145	145.5	-
H120	12	220	140	80	440	-	43.5	145	145.5	-
H150	15	225	130	80	435	-	43.5	155	153.5	Yes
H200L	20	190	95	40	325	-	55	170	170	Yes
H200	20	240	145	80	465	-	55	170	170	Yes
H300	30	280	178	-	-	458	62	200	212	Yes



www.nikehydraulics.com

NIKE HYDRAULICS AB
 Box 1107
 631 80 Eskilstuna
 SWEDEN
 Tel +46 16 - 16 82 00
 Fax +46 16 - 13 93 16
 info@nikehydraulics.se

NIKE HYDRAULICS Inc.
 3980 W. Albany, Unit #1
 MCHENRY, IL 60050
 USA
 Tel + 1 815 385 7777
 Fax + 1 815 385 7776
 info@nikehydraulics.com

NIKE POWER EQUIPMENT Ltd.
 Unit 6, Stechford Trading Estate
 Lyndon Road, Stechford
 BIRMINGHAM B33 8BU, UK
 Tel +44 121 789 77 07
 Fax +44 121 789 68 66
 info@nikehydraulics.co.uk