

# H - Bottle jacks

NIKE's range of bottle jacks is made up of a wide selection of standard models, including extended (H80-300) and extra low variants (HxxxL- models) and special jacks for a variety of different applications.

All NIKE bottle jacks have a safety valve that prevents overloading. Bottle jacks are easy to service, and all wear components are easily replaceable.

## H-series

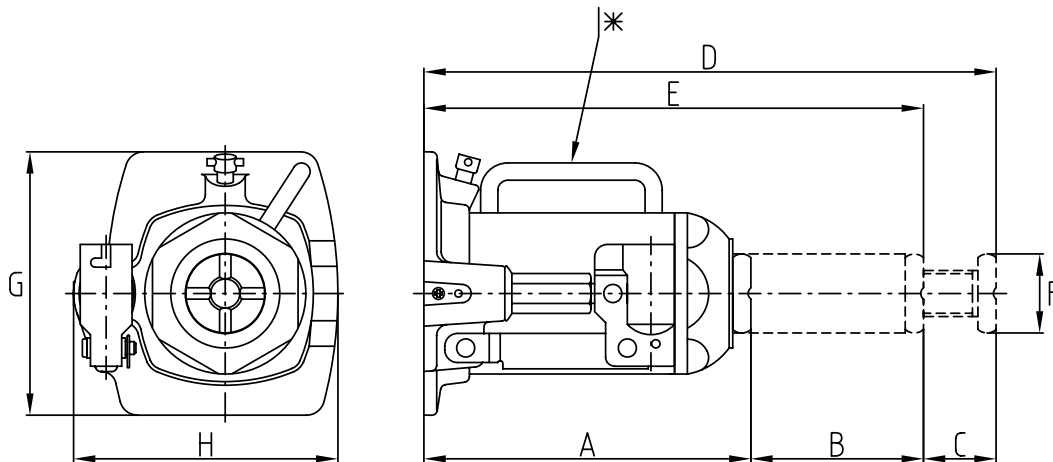
- Low manual pumping force facilitates use in uncomfortable positions.
- Release valve permits safe, easy and precise control over rate of lowering.
- Filter in oil reservoir protects against contamination.





# Technical data

Name	Capacity tonf (US)	Min. height in	Max. height in	Hydr. stroke in	Adjustm. screw in	Weight lb
H20	2.2	6.5	12.5	4	2	6.2
H40	4.4	7.1	14.4	4.6	2.8	8.8
H60	6.6	7.7	15.4	5	2.8	11
H80	8.8	7.9	15.7	5.1	2.8	13.7
H80-300	8.8	11.8	23.6	8.7	3.1	21.8
H100	11	8.7	16.9	5.5	2.8	16.1
H120L	13.2	7.1	12.4	3.7	1.6	16.8
H120	13.2	8.7	17.3	5.5	3.1	18.7
H150	16.5	8.9	17.1	5.1	3.1	21.2
H200L	22	7.5	12.8	3.7	1.6	24.3
H200	22	9.4	18.3	5.7	3.1	30
H300	33.1	11	18	7	-	52.9



Name	Capacity tonf (US)	A in	B in	C in	D in	E in	F ø in	G in	H in	* Handle
H20	2.2	6.5	4	2	12.5	-	1	3.9	4.3	-
H40	4.4	7.1	4.6	2.8	14.4	-	1.1	4.3	4.6	-
H60	6.6	7.7	5	2.8	15.4	-	1.2	4.5	4.8	-
H80	8.8	7.9	5.1	2.8	15.7	-	1.4	4.9	5.2	-
H80-300	8.8	11.8	8.7	3.1	23.6	-	1.7	5.7	5.7	-
H100	11	8.7	5.5	2.8	16.9	-	1.4	5.3	5.4	-
H120L	13.2	7.1	3.7	1.6	12.4	-	1.7	5.7	5.7	-
H120	13.2	8.7	5.5	3.1	17.3	-	1.7	5.7	5.7	-
H150	16.5	8.9	5.1	3.1	17.1	-	1.7	6.1	6	Yes
H200L	22	7.5	3.7	1.6	12.8	-	2.2	6.7	6.7	Yes
H200	22	9.4	5.7	3.1	18.3	-	2.2	6.7	6.7	Yes
H300	33.1	11	7	-	-	18	2.4	7.9	8.3	Yes



**NIKE HYDRAULICS Inc.**  
 3980 W. Albany, Unit #1  
 MCHENRY, IL 60050  
 USA  
 Tel + 1 815 385 7777  
 Fax + 1 815 385 7776  
 info@nikehydraulics.com

[www.nikehydraulics.com](http://www.nikehydraulics.com)

**Please note** that numbers shown in dimensional drawings are metric numbers.

1 mm = 0.0393 in