

GN - Heavy-duty trolley jacks

Reliability. All NIKE trolley jacks feature modern design and are designed to incorporate large safety margins. A safety valve on all models protects against overloading.

Service. Easily replaceable components make NIKE trolley jacks simple to service. We have a large network of dealers and service agents around the world.

GN - models

- Extended chassis for improved accessibility.
- Protector, top saddle protection for safer lifting.
- Polyamid wheel - for quieter positioning.

GN5 and GN10

- Automatic double-stage rapid operation.
- Foot pedal for rapid movement into lifting position.
- Safety valve for overload-protection.

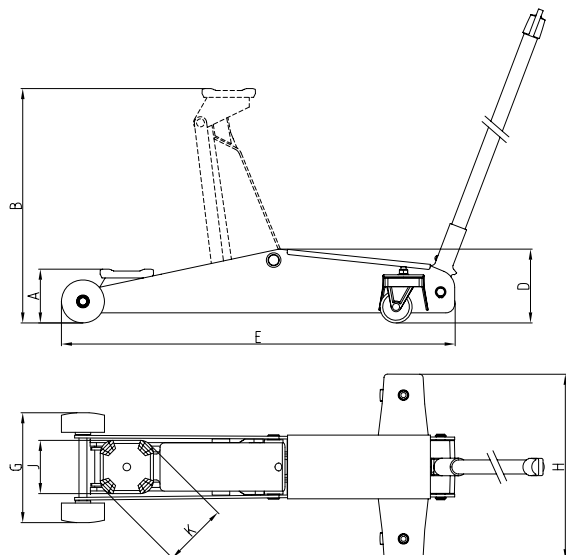




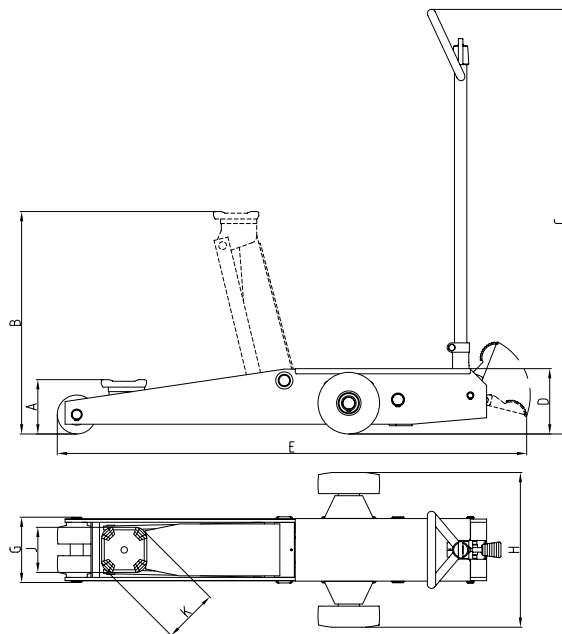
Technical data

Name	Capacity ton	Min. height mm	Max. height mm	Length ex. lever mm	Weight kg
GN2	2	127	534	908	34
GN5	5	165	685	1460	114
GN10	10	175	685	1520	187

Dimensional drawing GN2



Dimensional drawing GN5/GN10



Name	Capacity ton	A mm	B mm	C mm	D mm	E mm	G mm	H mm	J mm	K mm
GN2	2	127	530	-	168	900	250	410	120	145
GN5	5	165	685	1310	200	1460	202	474	140	168
GN10	10	175	686	1355	255	1520	240	515	160	185



www.nikehydraulics.com

NIKE HYDRAULICS AB
 Box 1107
 631 80 Eskilstuna
 SWEDEN
 Tel +46 16 - 16 82 00
 Fax +46 16 - 13 93 16
 info@nikehydraulics.se

NIKE HYDRAULICS Inc.
 3980 W. Albany, Unit #1
 MCHENRY, IL 60050
 USA
 Tel + 1 815 385 7777
 Fax + 1 815 385 7776
 info@nikehydraulics.com

NIKE POWER EQUIPMENT Ltd.
 Unit 6, Stechford Trading Estate
 Lyndon Road, Stechford
 BIRMINGHAM B33 8BU, UK
 Tel +44 121 789 77 07
 Fax +44 121 789 68 66
 info@nikehydraulics.co.uk