

# DTR - Double-acting telescopic ram



- Compact design.
- Large stroke compared to min. length.
- Quick-lock for accessories.
- Pushing and pulling operations.

# Technical data



## Accessories

### AQU21N single coupling

Single coupling for quick and easy coupling and de-coupling.

### RT27 Chain with one hook (2.5 m)

Chain for pulling operations. Chain attachment RT48 is necessary for fastening RT27 on the tool.

### RT28 Chain with two hooks (1.5 m)

Chain for pulling operations. Chain attachment RT48 is necessary for fastening RT28 on the tool.

### RT50 Pressure head

RT50 is part of the ram. Can be purchased separately.

### RT51 Penetration tip

### RT52 Chain attachment

### RT53 Locking pin for quicklocking system

We recommend to have one or two locking pins in reserve.

### RT54 Extension tube

Extension tube for DTR telescopic rams. Adds 250 mm to the length.

### RT55 Support foot (pivoted)

### RT59 Adapter

### RT62 Pressure head C-form

### RT65 Support plate

To be used to give adequate support when pushing against e.g. seat cushion.

### RT75 Extension tube

Extension tube for DTR telescopic rams. Adds 450 mm to the length.

### RT76 Extension tube

Extension tube for DTR telescopic rams. Adds 650 mm to the length.

## Hydraulic telescopic ram DTR265-300 and DTR265-700

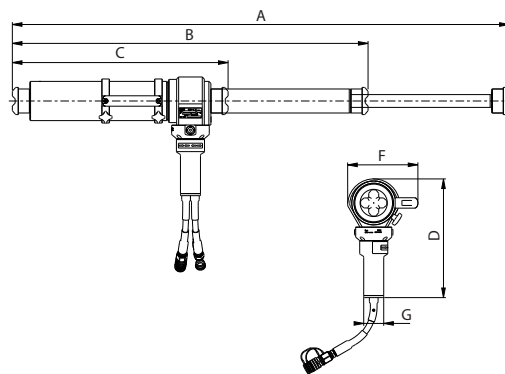
The new telescopic rams are the first choice when it comes to gain a long movement out of a short tool. Furthermore, both the short and the long version of the telescopic ram can easily be equipped with extensions or different kinds of pressure heads. Both rams have adjustable carrying handles.

## Safety features

Motor driven rescue tools from NIKE are provided with a twist-grip control with dead man's handle. This means that the tool will stop immediately and remain in its position when the handle is released.

Furthermore, all rescue tools are equipped with a built-in safety valve which protects the tools from overload. Besides that, the valve prevents the return hose being connected wrongly.

Name	Spreading force		Pulling force		Stroke	Min. length mm	Max. length mm	Weight kg
	1. stage	2. stage	1. stage	2. stage				
DTR265-300	27 ton/265 kN	10.2 ton/100 kN	4 ton/39 kN	3.7 ton/36 kN	2x150mm	336	636	11.2
DTR265-700	27 ton/265 kN	10.2 ton/100 kN	4 ton/39 kN	3.7 ton/36 kN	2x350mm	541	1241	15.9



Name	Class acc. EN13204	A mm	B mm	C mm	D mm	F mm	G mm
DTR265-300	TR265/150-100/150-11	636	486	336	296.5	180.5	50
DTR265-700	TR265/350-100/350-16	1241	891	541	296.5	175.5	50



[www.nikehydraulics.com](http://www.nikehydraulics.com)

### NIKE HYDRAULICS AB

Box 1107  
631 80 Eskilstuna  
SWEDEN  
Tel +46 16 - 16 82 00  
Fax +46 16 - 13 93 16  
info@nikehydraulics.se

### NIKE HYDRAULICS Inc.

3980 W. Albany, Unit #1  
MCHENRY, IL 60050  
USA  
Tel +1 815 385 7777  
Fax +1 815 385 7776  
info@nikehydraulics.com

### NIKE POWER EQUIPMENT Ltd.

Unit 6, Stechford Trading Estate  
Lyndon Road, Stechford  
BIRMINGHAM B33 8BU, UK  
Tel +44 121 789 77 07  
Fax +44 121 789 68 66  
info@nikehydraulics.co.uk