

Rescue hydraulics



DTR - Double-acting telescopic ram



- Compact design.
- Large stroke compared to min. length.
- Quick-lock for accessories.
- Pushing and pulling operations.

www.nikehydraulics.com

Data sheet



Hydraulic telescopic ram DTR265-300 and DTR265-700

The new telescopic rams are the first choice when it comes to gain a long movement out of a short tool. Furthermore, both the short and the long version of the telescopic ram can easily be equipped with extensions or different kinds of pressure heads. Both rams have adjustable carrying handles.

Accessories

AQU21N single coupling

Single coupling for quick and easy coupling and de-coupling.

RT27 Chain with one hook (8.2 ft)

Chain for pulling operations. Chain attachment RT48 is necessary for fastening RT27 on the tool.

RT28 Chain with two hooks (4.9 ft)

Chain for pulling operations. Chain attachment RT48 is necessary for fastening RT28 on the tool.

RT50 Pressure head

RT50 is part of the ram. Can be purchased separately.

RT51 Penetration tip

RT52 Chain attachment

RT53 Locking pin for quicklocking system

We recommend to have one or two locking pins in reserve.

RT54 Extension tube

Extension tube for DTR telescopic rams. Adds 9.8 in to the length.

RT55 Support foot (pivoted)

RT59 Adapter

RT62 Pressure head C-form

RT65 Support plate

To be used to give adequate support when pushing against e.g. seat cushion.

RT75 Extension tube

Extension tube for DTR telescopic rams. Adds 17.7 in to the length.

RT76 Extension tube

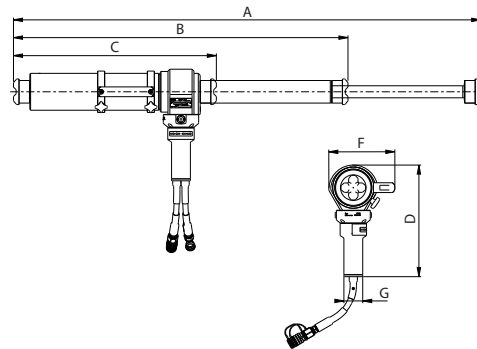
Extension tube for DTR telescopic rams. Adds 25.6 in to the length.

Safety features

Motor driven rescue tools from NIKE are provided with a twist-grip control with dead man's handle. This means that the tool will stop immediately and remain in its position when the handle is released.

Furthermore, all rescue tools are equipped with a built-in safety valve which protects the tools from overload. Besides that, the valve prevents the return hose being connected wrongly.

Name	Spreading force		Pulling force		Stroke	Min. length in	Max. length in	Weight lb
	1. stage	2. stage	1. stage	2. stage				
DTR265-300	29.8 tonf (US)	11.2 tonf (US)	4.4 tonf (US)	4.1 tonf (US)	0.1x5.9in	13.2	25	24.7
DTR265-700	29.8 tonf (US)	11.2 tonf (US)	4.4 tonf (US)	4.1 tonf (US)	0.1x13.8in	21.3	48.9	35.1



Name	Class acc. EN13204	A in	B in	C in	D in	F in	G ø in
DTR265-300	TR265/150-100/150-11	25	19.1	13.2	11.7	7.1	2
DTR265-700	TR265/350-100/350-16	48.9	35.1	21.3	11.7	6.9	2



NIKE HYDRAULICS Inc.
3980 W. Albany, Unit #1
MCHENRY, IL 60050
USA
Tel + 1 815 385 7777
Fax + 1 815 385 7776
info@nikehydraulics.com

Please note that numbers shown in dimensional drawings are metric numbers.

1 mm = 0.0393 in

www.nikehydraulics.com