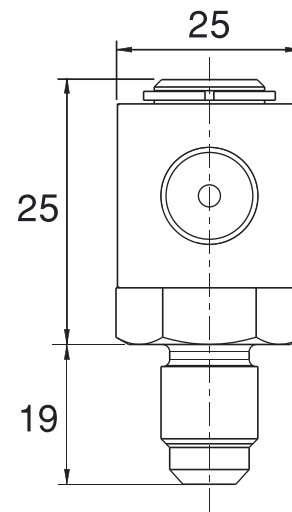
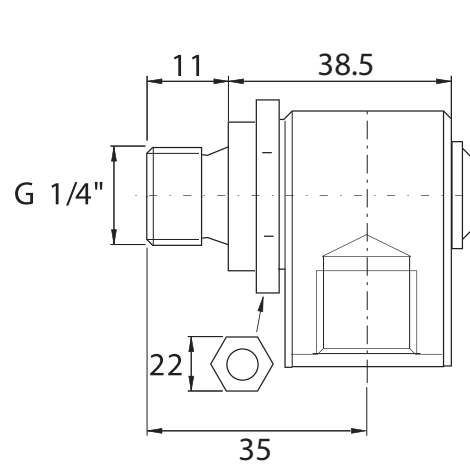
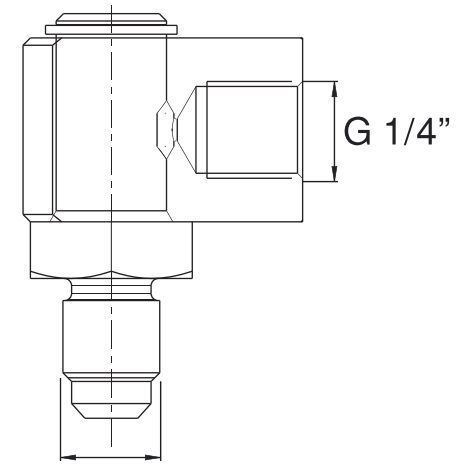


ASE10



ASE15



G 1/4"

**Please note** that numbers shown in dimensional drawings are metric numbers.  
1 mm = 0.0393 in