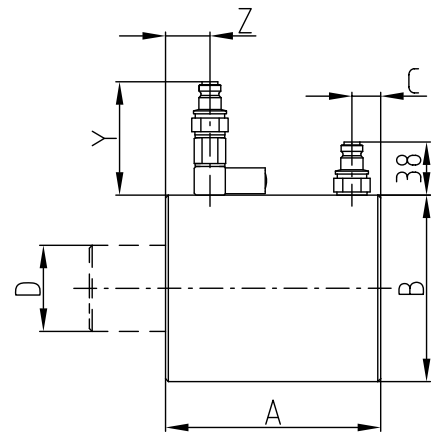
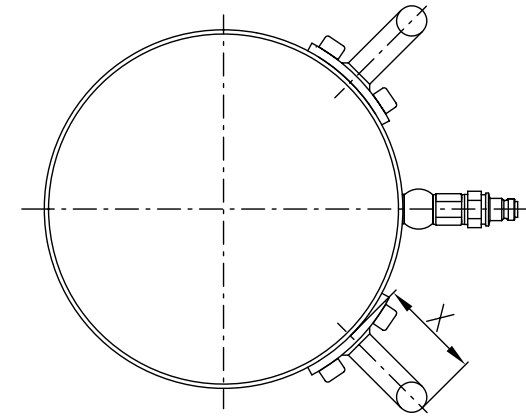
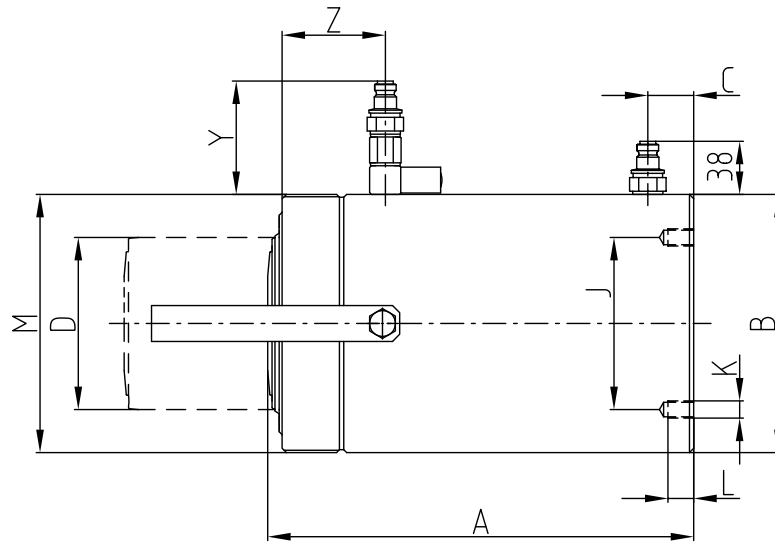


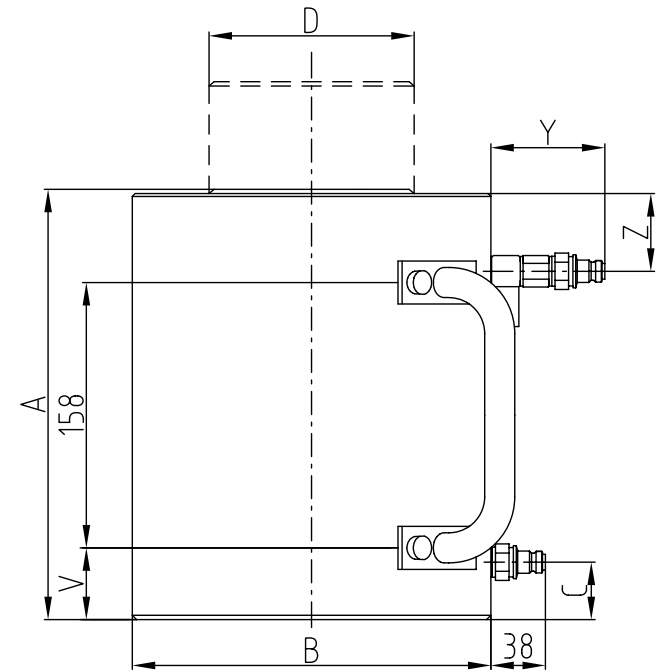
CD670A-150



CD450-75



CD1100A-100, -150



CD2000-150

Please note that numbers shown in dimensional drawings are metric numbers.
1 mm = 0.0393 in