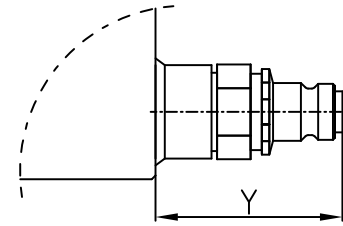
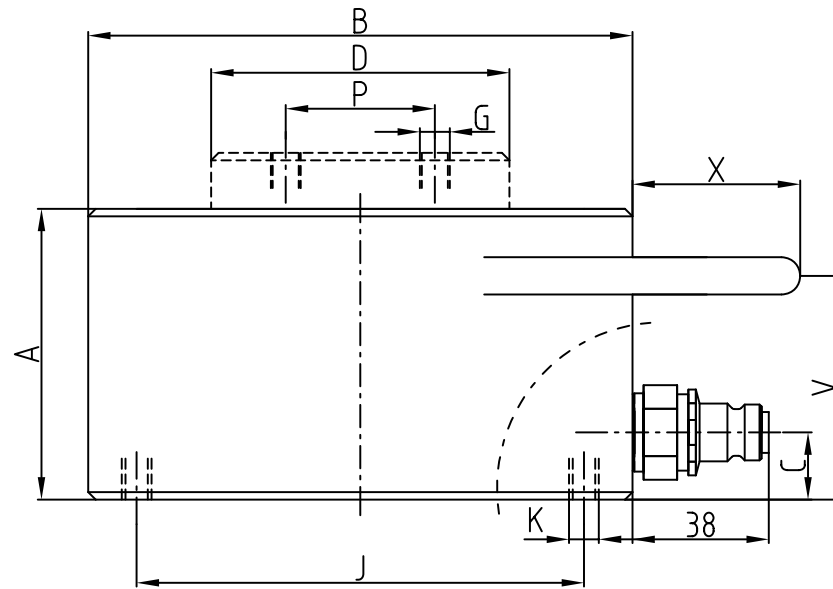


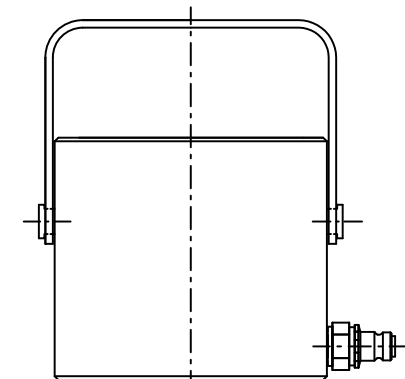
CLF50-10 - CLF450-15



CLF110-30, CLF220-50



CLF110-30  
CLF450-40 - CLF2000-16



SCALE 1:2

CLF670-45, CLF1000-40

**Please note** that numbers shown in dimensional drawings are metric numbers.  
1 mm = 0.0393 in